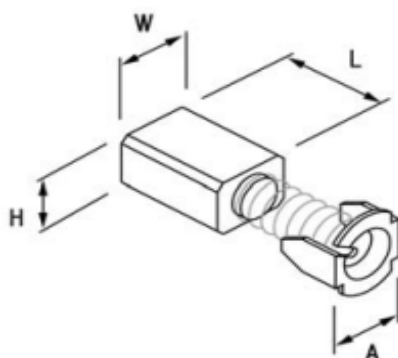


カーボンブラシ寸法表一覧



品名	品番	CB 寸法
		(HxWxLxA) mm
CB1003	DCS1003-00B	7x6x11x6.8
CB1004	DCS1004-00B	5x10x13x8
CB1005	DCS1005-00B	6x11x16x8
CB1006	DCS1006-00B	7x11x20x11
CB1007	DCS1007-00B	7x11x20x11
CB1008	NFM0010-00A	7x11x20x11
CB1010	DCS1010-00B	4.8x9.7x11x9.5
CB1013	DCS1013-00B	6.5x7.5x12xなし
CB1016	DCS1016-00B	5x6x10xなし
CB1017	DCS1017-00B	6X12.5X21X12.5
CB1029	DCS1029-00B	6x12.5x21x12.5
CB1100	DCS1100-00B	6x8x11.5x7
CB1101	DCS1101-00B	6x8x11.5x7
CB1102	DCS1102-00A	6x8x11.5x7
CB1105	DCS1105-00B	6x11x16x8
CB1115	DCS1115-00B	7x11x20x11
CB1200	DCS1200-00A	6x11x16x8
CB2001	DCS2001-00A	6x15x16x12
CB2005	DCS2005-00A	6x11x16x8
CB2105	DCS2105-00A	6x11x16x8
CB2200	DCS2200-00A	6x11x16x8
MYC-G355(S)	NFS0009-00A	6.4x13.4x16.8x14.2

※品名・品番・寸法が色付きの場合は、供給終了

ver1.0